



Trend Analysis and Prediction of Rainfall Using Deep Learning Models in Three Sub-Divisions of Karnataka

G. H. Harish Nayak ^{a*}, A. Varalakshmi ^b, M. G. Manjunath ^c,
Veershetty ^a, G. Avinash ^a and Moumita Baishya ^a

^a ICAR-Indian Agricultural Statistics Research Institute, ICAR-IARI, New Delhi-110 012, India.

^b Department of Agricultural Statistics, Applied Mathematics and Computer Application, GKVK, University of Agricultural Sciences, Bengaluru-560 065, Karnataka, India.

^c Department of Agronomy, University of Agricultural Sciences, Dharwad-580 005, Karnataka, India.

Authors' contributions

This work was carried out in collaboration among all authors. All authors read and approved the final manuscript.

Article Information

DOI: 10.9734/JEAI/2023/v45i42114

Open Peer Review History:

This journal follows the Advanced Open Peer Review policy. Identity of the Reviewers, Editor(s) and additional Reviewers, peer review comments, different versions of the manuscript, comments of the editors, etc are available here: <https://www.sdiarticle5.com/review-history/97873>

Original Research Article

Received: 15/01/2023

Accepted: 19/03/2023

Published: 20/03/2023

ABSTRACT

Precise estimation of rainfall is a crucial and challenging task in environmental science. It involves the use of advanced and powerful models to forecast non-linear and dynamic changes in rainfall. Deep learning, a recently developed method for handling vast amounts of data and resolving complex problems, has proven to be an effective tool for rainfall forecasting. In this study, we applied various deep learning models such as Multilayer Perceptron (MLP), Long Short-Term Memory (LSTM), Bidirectional LSTM (Bi-LSTM), Stacked LSTM, Gated Recurrent Units (GRUs), and a traditional model called Autoregressive Integrated Moving Average (ARIMA), to forecast monthly rainfall data (mm) for three regions of Karnataka: Coastal Karnataka, North Interior Karnataka (NIK), and South Interior Karnataka (SIK). Trend analysis was conducted using the

*Corresponding author: E-mail: harishnayak626@gmail.com;

Mann-Kendall trend test (MK test) and the Seasonal Mann-Kendall trend test, along with Sen's Slope Estimator, to determine trends and slope magnitudes. The results showed that deep learning models perform better than traditional methods in forecasting rainfall. The performance of different models was evaluated using forecasting evaluation criteria and found that the LSTM model performed best for Coastal Karnataka, with an RMSE value of 149.45, while the Bi-LSTM model performed best for NIK, with an RMSE value of 32.57, and the Stacked LSTM model performed best for SIK, with an RMSE value of 45.33. Therefore, deep learning models can be effectively used to predict rainfall data with greater accuracy.

Keywords: *Autoregressive Integrated Moving Average (ARIMA); Bidirectional LSTM (Bi-LSTM); Gated Recurrent Unit (GRU); Long Short-Term Memory (LSTM); Multilayer Perceptron (MLP); Stacked LSTM.*

1. INTRODUCTION

Agriculture is a critical component of India's well-being, heavily reliant on precipitation for success. Efficient water resource management can also be supported through agricultural practices. Past precipitation data has enabled farmers to better manage their crops, contributing to the country's economic growth. Accurate rainfall prediction is essential for preventing flooding, which can lead to significant property damage and loss of life. Due to fluctuations in timing and quantity, precipitation forecasting is challenging for meteorologists. Researchers from various disciplines, such as weather data mining, environmental machine learning, functional hydrology, and numerical forecasting, are working to develop predictive models for accurate rainfall forecasting. The capacity to infer past and future predictions are crucial in addressing these issues. Precipitation involves numerous sub-processes, making it difficult to predict accurately on a global scale. Climate forecasting is essential for all countries worldwide and is provided by meteorological departments, offering significant benefits and services. Early identification of severe weather conditions through precise precipitation forecasting can aid in mitigating natural disaster injuries and damages. In India, numerous rainfall prediction methods are available, with traditional models limited to linear data analysis. Machine learning models can capture nonlinearity in data, but feature extraction issues can pose challenges. Deep learning models, a subset of machine learning, can overcome these issues and adapt to the data to capture volatility better, resulting in improved results. Therefore, the forecasting of rainfall is being carried out for three Karnataka subdivisions, namely Coastal Karnataka, North Interior Karnataka, and South Interior Karnataka.

Traditional time series models, like ARIMA and ARMA, rely on a linear relationship between the data, which isn't always the case in practical applications. Machine learning (ML) models, in contrast, have become viable alternatives for time series forecasting due to their flexible operational designs and strong self-learning capabilities [1,2]. "In several empirical studies, it has been demonstrated that ML approaches, such as artificial neural networks (ANN), generalised regression neural networks (GRNN), support vector regression (SVR), random forest (RF), and gradient boosting machine (GBM), perform better than time series models in predicting a variety of time series" [3].

Since shallow machine learning heavily relies on clearly defined features, a successful feature extraction process is essential to the model's performance [4]. Manual feature design is a tedious task that needs domain knowledge, making it labor-intensive, time-consuming, and rigid. Deep learning (DL) overcomes this restriction by utilising cutting-edge architecture to automatically and labor-efficiently extract discriminative feature representations [5]. DL is therefore better equipped to deal with big, noisy, and unstructured data. Many different deep learning (DL) techniques are employed, including the multilayer perceptron (MLP), long short-term memory (LSTM), bidirectional LSTM (Bi-LSTM), stacked LSTM, gated recurrent units (GRU), and convolutional neural networks (CNN).

Time series data can be handled by DL models in a scalable manner, and they have demonstrated high accuracy in a number of application domains. Utilizing hourly meteorological data from numerous locations, DL models like LSTM have been used to forecast weather variables like temperature, wind speed, and humidity for 24 and 72 hours [6]. Other studies have employed multi-task CNN to predict

monthly rainfall in Bhutan's capital using different DL models, including BLSTM-GRU, which outperformed other ML and DL models [7], and forecast short-term precipitation in China [8]. Aswin *et al.* (2018) applied "Long Short-Term Memory (LSTM) and Convolutional Neural Network (CNN) for rainfall data". "Prediction of short-term rainfall using Gated Recurrent Unit (GRU)" by Sun *et al.* (2021). Khan and Maity (2020) along with SVR applied Multilayer Perceptron (MLP) and CNN for daily rainfall prediction.

Based on these findings, we propose using DL-based rainfall prediction models to improve the accuracy of rainfall forecasting for three subdivisions of Karnataka, India.

2. MATERIALS AND METHODS

2.1 To Analyse the Trend in Monthly Rainfall Data

Trend analysis is a commonly used tool to detect changes in climatic and rainfall time-series data. With the predicted changes in global climate, trend detection in rainfall data has received significant attention. However, climatic variability, as reflected in rainfall data, can negatively impact rainfall trends. Parametric tests are more commonly used for trend analysis, assuming independent and normally distributed data. However, real-world data may not always meet these assumptions. To address this, more powerful nonparametric tests are used, especially for rainfall data, as they do not require the strict assumptions of parametric tests and can tolerate the effect of outliers in the data. Several nonparametric tests exist in the literature to analyze trends, with Mann-Kendall's (M-K) test being one of the most widely used tests for estimating trends in rainfall data. The M-K test procedure involves:

2.1.1 Mann-Kendall (M-K) test

The Mann-Kendall trend (M-K) test is a non-parametric test, in contrast to the parametric method of trend analysis. It is considered the most suitable test for identifying trends in rainfall data. One of the benefits of using the non-parametric M-K test is that it relies on the sign of differences rather than the values of random variables, making the trend less influenced by fluctuations and extreme rainfall values. This is especially important in the analysis of weather

parameters, which are highly prone to fluctuations [9].

H_0 : The rainfall data don't show any monotonic trends.

H_1 : The rainfall data show monotonic trends (either decreasing or increasing).

The Mann-Kendall statistics 'S' is given as

$$S = \sum_{k=1}^{n-1} \sum_{j=k+1}^n \text{sign}(x_j - x_k) \quad (1)$$

where,

$$\text{sign}(x_j - x_k) = \begin{cases} +1 & \text{if } (x_j - x_k) > 0 \\ 0 & \text{if } (x_j - x_k) = 0 \\ -1 & \text{if } (x_j - x_k) < 0 \end{cases} \quad (2)$$

and x_j, x_k are the sequential data values and for all $k, j \leq n$ with $k \neq j$ and n is the length of the rainfall data set.

2.1.2 Seasonal Mann-Kendall test (Seasonal M-K test)

The Seasonal Mann-Kendall (M-K) test is a nonparametric statistical test that evaluates seasonal data for monotonic trends. It was developed by Hirsch, Smith, & Slack in the 1980s and has become widely used in environmental studies. The term "monotonic" refers to a consistent upward or downward trend, while "seasonal" data pertains to data collected for periods that exhibit trends that can be either upward or downward. These periods can include seasons such as spring and summer, as well as time periods such as hours, days, or months.

The Seasonal M-K test is a subset of the Mann-Kendall Trend Test and is used when the data is seasonal. In cases where the data is not seasonal, the Mann-Kendall Trend Test should be used instead. The Seasonal M-K test involves conducting independent Mann-Kendall trend tests on each of the m seasons, where m is the number of seasons. The comparison is made only between data from the same season [10]. The overall Seasonal M-K test statistic is obtained by adding the Kendall S statistics from each season.

$$S_k = \sum_{i=1}^m S_i \quad (3)$$

2.1.3 Sen's slope estimator

Sen's slope estimator is a commonly used method for estimating the magnitude of a trend. It is a nonparametric linear slope estimator that is particularly effective with monotonic data. Unlike linear regression, Sen's slope estimator is less affected by data errors, outliers, or missing data. The method involves calculating the slope (T_i) of each pair of data using the following formula:

$$T_i = \frac{(x_j - x_k)}{j - k} \text{ for } i = 1, 2, \dots, n \quad (4)$$

where x_j and x_k are considered as data values at time j and k ($j > k$) correspondingly. The median of these n values of T_i is represented as Sen's estimator of the slope, which is given as:

$$Q_{Med} = \begin{cases} T_{\frac{N+1}{2}} & \text{if } N \text{ is odd} \\ \frac{1}{2} \left(T_{\frac{N}{2}} + T_{\frac{N+2}{2}} \right) & \text{if } N \text{ is even} \end{cases} \quad (5)$$

In the end, T_{med} is computed by a two-sided test at 100 $(1 - \alpha)$ % confidence interval and then a true slope can be obtained by this non-parametric test. Positive value of Q_{Med} indicates an upward or increasing trend and a negative value of Q_{Med} gives a downward or decreasing trend in the time-series [11].

2.2 Forecasting of Monthly Rainfall Data

2.2.1 Autoregressive Integrated Moving Average (ARIMA)

ARIMA model is a generalization of ARMA models which incorporate a wide range of non-stationary timeseries by suitable order of differencing. The simplest example of a non-stationary process which reduces to a stationary one after differencing is 'Random Walk.' A process $\{y_t\}$ is said to follow an Integrated ARMA model, denoted by ARIMA (p, d, q) , if $\nabla^d y_t = (1 - B)^d \varepsilon_t$ is ARMA (p, q) . The model is written as:

$$\varphi(B)(1 - B)^d y_t = \theta(B)\varepsilon_t \quad (6)$$

where, $\varepsilon_t \sim WN(0, \sigma^2)$, WN indicates white noise, $\varphi(B) = 1 - \varphi_1 B - \varphi_2 B^2 - \dots - \varphi_p B^p$ and $\theta(B) = 1 - \theta_1 B - \theta_2 B^2 - \dots - \theta_q B^q$. The integration parameter d is a nonnegative integer.

There are four major stages of ARIMA model building. These are identification, estimation, validation, and forecasting. A detailed discussion on various aspects of this approach is given in Box et al. [12].

2.2.2 Multi-layer perceptron (MLP)

An artificial neural network (ANN) is a computational model inspired by the brain's information processing and analysis capabilities, capable of solving a wide range of non-linear problems [13]. ANN provides several advantages, such as the ability to perform parallel processing, learning from experience (datasets), and being capable of approximating complex functions with high accuracy without the need for reprogramming. ANN finds wide application in classification and forecasting problems. Multi-layer Perceptron (MLP) is the most popular ANN model used for time-series forecasting problems [14]. The MLP structure consists of an input layer, hidden layer, and output layer [15], each containing several processing units or neurons connected via directed links with individual weights.

The mathematical equations of the neural network are presented by Eq. (7).

$$\hat{y} = \sum_{j=0}^{s_0} W_{jk} \cdot \xi \left(\sum_{i=0}^{s_h} W_{ij} \cdot x \right) \quad (7)$$

$$\xi(\alpha, x) = \begin{cases} \alpha \cdot (e^x - 1), & \text{if } x < 0 \\ x, & \text{if otherwise} \end{cases} \quad (8)$$

where x and \hat{y} are the input and output of the network, respectively. s_0 and s_h are the size of the output layer and hidden layer. W_{ij} are the weights of connection between input and hidden layer, W_{jk} is the weights of connection between hidden and output layer. ξ is the Exponential Linear Unit (ELU) [16] presented by Eq. (8) (in its general form, when $\alpha = 1$). It becomes the Rectified Linear Unit (ReLU) when $\alpha = 0$.

2.2.3 Long short-term memory (LSTM)

Recurrent Neural Networks (RNNs) incorporate Long Short-Term Memory (LSTM), a type of neural network that addresses the challenge of long-term RNN dependencies, where the RNN can only forecast based on current data and is unable to access data stored in long-term memory. LSTM was developed by Hochreiter

and Schmidhuber in 1997. RNNs become less effective as the time gap between relevant data points increases. LSTM solves the problem of gradient vanishing and forgetting that typically occurs in traditional RNNs. It has the ability to retain data for an extended period and can also learn to make a one-shot multi-step prediction, which is useful for time-series prediction [17]. An LSTM neural network unit includes four gates: an input gate, a cell state, a forgotten gate, and an output gate.

Structure of LSTM

The LSTM has a chain structure that includes four neural networks and various memory blocks known as cells.

The cells store information, and the gates perform memory manipulations. There are three gates –

1. **Forget Gate:** The forget gate deletes information that is no longer useful in the cell state. Two inputs, x_t (at-the-time input) and h_{t-1} (previous cell output), are fed into the gate and multiplied with weight matrices before bias is added. The result is fed into an activation function, which produces a binary output. If the output for a specific cell state is 0, the information is lost; if the output is 1, the information is saved for future use.
2. **Input gate:** The input gate is responsible for adding useful information to the cell state. First, the information is regulated using the sigmoid function, and the values

to be remembered are filtered using the h_{t-1} and x_t inputs, similar to the forget gate. The tanh function is then used to generate a vector with values ranging from -1 to +1 that contains all of the possible values from h_{t-1} and x_t . Finally, the vector and regulated values are multiplied to obtain useful information.

3. **Output gate:** The output gate is in charge of extracting useful information from the current cell state and presenting it as output. To begin, a vector is created by applying the tanh function to the cell. The information is then regulated using the sigmoid function and filtered by the values to be remembered via h_{t-1} and x_t inputs. Finally, the vector and regulated values are multiplied and sent as output and input to the next cell.

The main calculation process is described as follows

$$i_t = \sigma(W_{ix}x_t + W_{im}m_{t-1} + W_{ic}c_{t-1} + b_i) \quad (9)$$

$$f_t = \sigma(W_{fx}x_t + W_{fm}m_{t-1} + W_{fc}c_{t-1} + b_f) \quad (10)$$

$$c_t = f_t \odot c_{t-1} + i_t \odot g(W_{cx}x_t + W_{cm}m_{t-1} + b_c) \quad (11)$$

$$o_t = \sigma(W_{ox}x_t + W_{om}m_{t-1} + W_{oc}c_{t-1} + b_o) \quad (12)$$

$$m_t = o_t \odot h(c_t) \quad (13)$$

$$y_t = \varphi(W_{ym}m_t + b_y) \quad (14)$$

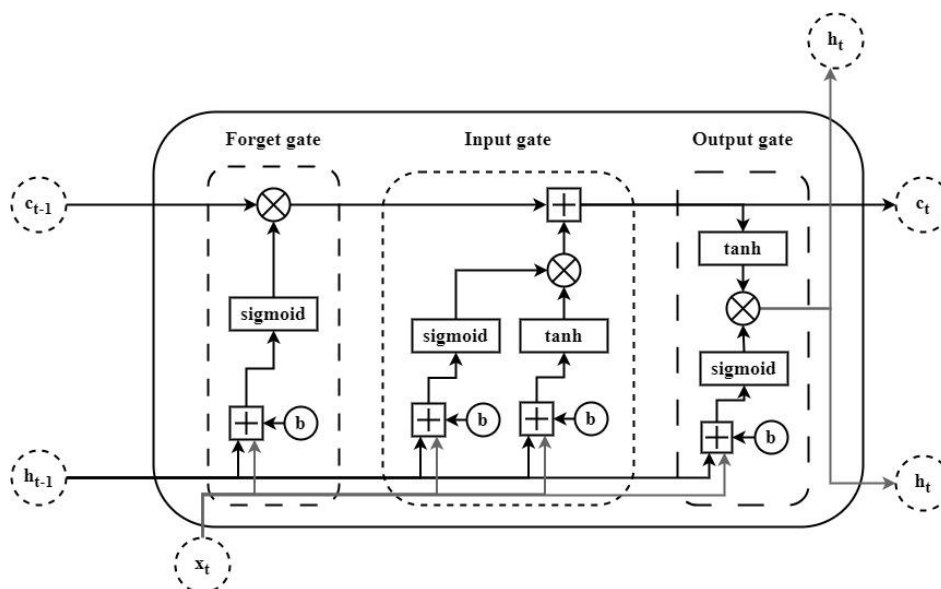


Fig. 1. The long short-term memory (LSTM) architecture

where c_t represent the memory cell, w and b are the weight matrices and the bias vectors, respectively, x_t denotes the input data at a present time step t , σ is the sigmoid function, and φ is the output activation function.

2.2.4 Bi-directional long short-term memory (Bi-LSTM)

Bidirectional long-short term memory (Bi-LSTM) is a neural network architecture that processes input data in both directions, either forward (past to future) or backward (future to past), allowing it to capture information from both the past and future contexts. Bi-LSTM extends the traditional LSTM by adding a second LSTM network that processes the input in reverse order. This results in two sets of hidden states, one for each direction, which is concatenated to form the final output. Bi-LSTM is especially useful for tasks where both past and future context is important, such as natural language processing, speech recognition, and image processing [18].

In the above diagram, we can see the flow of information from backward and forward layers. Bi-LSTM is usually employed where the sequence-to-sequence tasks are needed. This kind of network can be used in text classification, speech recognition and forecasting models.

The process can be described as:

$$\vec{h}_t = LSTM(x_t, \vec{h}_{t-1}) \quad (15)$$

$$\overleftarrow{h}_t = LSTM(x_t, \overleftarrow{h}_{t+1}) \quad (16)$$

$$y_t = \delta(W_{\vec{h}_y} \vec{h}_t + W_{\overleftarrow{h}_t} \overleftarrow{h}_t + b_y) \quad (17)$$

where $(.)$ represents LSTM network, $(W_{\vec{h}_y}$ and $W_{\overleftarrow{h}_t}$) represent the weight of the forward and backward LSTM layer at time t , respectively. b_y denotes the bias of the output layer, $\delta(.)$ represents the activation function.

2.2.5 Stacked LSTM

The Long Short-Term Memory (LSTM) model is a type of neural network consisting of a single hidden layer of LSTM units, followed by a conventional output layer. To increase the depth of the model, a model extension called Stacked LSTM was introduced. Stacked LSTM has multiple hidden LSTM layers, each with multiple memory cells. The depth of the neural network is increased by the addition of multiple LSTM layers, making it a deep learning technique. The success of deep learning in tackling difficult prediction problems is often attributed to the depth of the network. Stacked LSTM has emerged as a reliable technique for solving difficult sequence prediction problems. In a stacked LSTM architecture, each LSTM layer sends a sequence of values to the layer below, rather than a single value. The output of each time step is an input for all subsequent time steps [19].

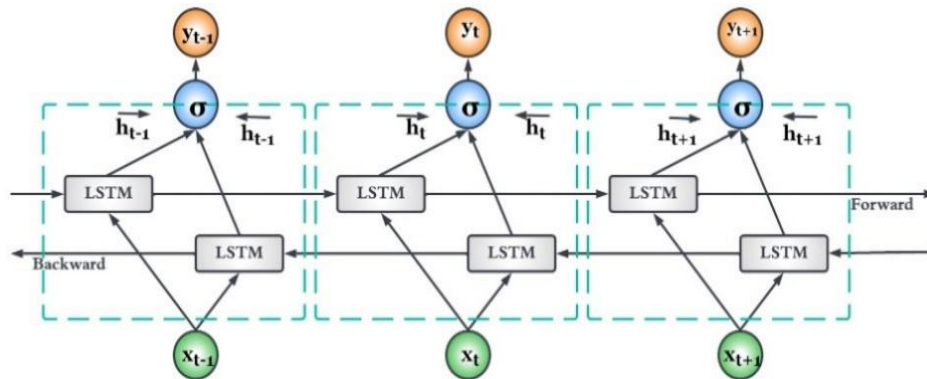


Fig. 2. The Bidirectional long short-term memory (LSTM) architecture



Fig. 3. The stacked long short-term memory (LSTM) architecture

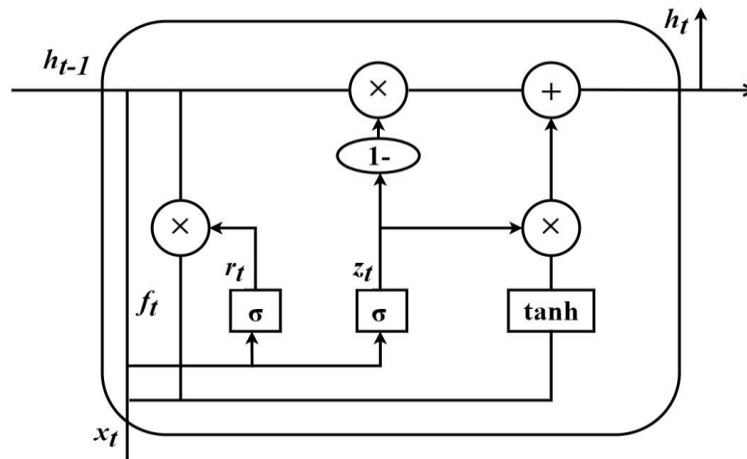


Fig. 4. The Gated Recurrent Unit (GRU) architecture

2.2.6 Gated recurrent unit (GRU)

The gated recurrent unit (GRU) is a gating mechanism used in recurrent neural networks (RNNs) to address the vanishing gradient problem that can arise in traditional RNNs. The GRU has a similar design to the long short-term memory (LSTM) unit, but it does not have an output gate. GRUs employ an update gate and a reset gate to regulate the flow of information, which helps to solve the vanishing gradient problem. The update gate controls the inflow of information into memory, while the reset gate controls the outflow of information from memory. While GRUs and LSTMs have similar designs and can produce comparable results in some cases, GRUs are particularly useful for addressing the vanishing gradient problem and are more effective than LSTMs with smaller datasets. GRUs have been used in various applications, including polyphonic music modeling, speech signal processing, handwriting recognition, and time series forecasting.

The process can be described as:

$$Z_t = \sigma(x_t w^z + h_{t-1} U^z + b_z) \quad (18)$$

$$r_t = \sigma(x_t w^r + h_{t-1} U^r + b_r) \quad (19)$$

$$\tilde{h}_t = \tanh(r_t \times h_{t-1} U + x_t W + b) \quad (20)$$

$$h_t = (1 - Z_t) \times \tilde{h}_t + Z_t \times h_{t-1} \quad (21)$$

where w^z , w^r , W denote the weight matrices for the corresponding connected input vector. U^z , U^r , U represent the weight matrices of the previous time step, and b_r , b_z and b are bias. The

σ denotes the sigmoid function, r_t denotes the reset gate, z_t denotes the update gate, and \tilde{h}_t denotes the candidate hidden layer [20-23].

3. RESULTS AND DISCUSSION

3.1 Analysis of Trend in Month-wise Rainfall Data

The trend in monthly, seasonal, and yearly rainfall data from three meteorological subdivisions of Karnataka was analysed using non-parametric tests, specifically the Mann-Kendall (M-K) and Seasonal Mann-Kendall tests. The M-K and seasonal M-K test statistics (Tau) values were used to determine the presence of a monotonic trend in the rainfall data. A positive Tau (τ) value indicates an upward or increasing trend, while a negative value suggests a downward or decreasing trend. The magnitude of the trend was calculated using Sen's slope estimator (Q_{Med}), with values close to zero indicating a minimal change in rainfall rate, while greater positive or negative values denote a significant increase or decrease in rainfall rate, respectively.

Before trend analysis, the significance of the serial correlation coefficient was assessed to confirm the presence of serial correlation in all rainfall data series. Kendall's Tau (τ) test revealed substantial serial correlation in the majority of the rainfall data series. To remove the impact of serial correlation on the acceptance or rejection of Kendall Tau (τ), the Seasonal M-K test for variance correction was employed. Python (3.9.0) and R (3.6.1) was used for the rainfall trend analysis.

3.1.1 Coastal Karnataka

Table 1 shows that there is no significant monotonic trend in the monthly rainfall data. The M-K test statistic for February is significant at a 1 percent level of significance, while the remaining months (January, March, April, May, June, July, August, September, October, November, and December) are not significant. The presence of serial correlation between consecutive months may have contributed to this result. The seasonal M-K test statistic value indicates a significant monotonic increasing trend for January, February, March, and April at a 1 percent level of significance, and for July at a 5 percent level of significance. The value is not significant for the remaining months of May, June, August, September, October, November, and December. The positive sign of the seasonal M-K

value for January, February, March, and April indicates an upward trend, while the negative sign for July suggests a downward trend. No significant trend is observed for the remaining months.

3.1.2 NIK subdivision

For the NIK subdivision, the M-K test statistic values in Table 2 indicate that there is no monotonic trend, as they were non-significant at the 5 percent level of significance for all months. This lack of trend may be attributed to the serial correlation present in the rainfall data from month to month.

Regarding the seasonal M-K test, January, March, April, and August months' test statistic values were significant at a 5 percent level of

Table 1. M-K and Seasonal M-K test statistic (Tau) and Sen's slope estimate for Coastal subdivision for monthly rainfall (mm) data

Period	M-K test			Seasonal M-K test			Sen's slope
	Tau	p-value	Trend	Tau	p-value	Trend	
January	0.15 ^{NS}	0.09	No trend	0.15**	<0.01	Increasing	0.00
February	0.27**	0.01	Increasing	0.27**	<0.01	Increasing	0.0003
March	0.15 ^{NS}	0.09	No trend	0.15*	0.03	Increasing	0.02
April	0.12 ^{NS}	0.17	No trend	0.12**	<0.01	Increasing	0.02
May	-0.03 ^{NS}	0.75	No trend	-0.03 ^{NS}	0.48	No trend	-0.29
June	0.07 ^{NS}	0.43	No trend	0.07 ^{NS}	0.24	No trend	1.10
July	-0.15 ^{NS}	0.08	No trend	-0.15**	0.00	Decreasing	-3.43
August	-0.003 ^{NS}	0.97	No trend	-0.0 ^{NS}	0.94	No trend	-0.03
September	0.03 ^{NS}	0.74	No trend	0.03 ^{NS}	0.56	No trend	0.36
October	0.06 ^{NS}	0.52	No trend	0.06 ^{NS}	0.23	No trend	0.42
November	0.04 ^{NS}	0.70	No trend	0.04 ^{NS}	0.30	No trend	0.14
December	-0.05 ^{NS}	0.60	No trend	-0.05 ^{NS}	0.52	No trend	-0.01

NS: Non-Significant, *Significant at 5% level of significance, **Significant at 1% level of significance

Table 2. M-K and Seasonal M-K test statistic (Tau) and Sen's slope estimate for NIK subdivision for monthly rainfall (mm) data

Period	M-K test			Seasonal M-K test			Sen's slope
	Tau	p-value	Trend	Tau	p-value	Trend	
January	0.10 ^{NS}	0.26	No Trend	0.10*	0.01	Increasing	0.00
February	0.12 ^{NS}	0.18	No Trend	0.12**	<0.01	Increasing	0.0008
March	0.04 ^{NS}	0.64	No Trend	0.04*	0.05	Increasing	0.01
April	-0.05 ^{NS}	0.61	No Trend	-0.05*	0.02	Decreasing	-0.06
May	-0.07 ^{NS}	0.44	No Trend	-0.07**	0.01	Decreasing	-0.17
June	0.03 ^{NS}	0.77	No Trend	0.03 ^{NS}	0.05	No trend	0.05
July	-0.13 ^{NS}	0.15	No Trend	-0.13**	<0.01	Decreasing	-0.50
August	0.06 ^{NS}	0.50	No Trend	0.06*	0.01	Increasing	0.20
September	-0.09 ^{NS}	0.32	No Trend	-0.09**	<0.01	Decreasing	-0.50
October	-0.05 ^{NS}	0.57	No Trend	-0.05 ^{NS}	0.17	No trend	-0.26
November	-0.04 ^{NS}	0.66	No Trend	-0.04 ^{NS}	0.34	No trend	-0.04
December	0.04 ^{NS}	0.64	No Trend	0.04 ^{NS}	0.41	No trend	0.001

NS: Non-Significant, *Significant at 5% level of significance, **Significant at 1% level of significance

significance, while February, May, July, and September months' values were significant at a 1 percent level of significance, with the remaining months being non-significant. The positive sign of the seasonal M-K value indicated a monotonic increasing trend for January, February, March, and August, while the negative sign indicated a monotonic decreasing trend for April, May, July, and September. There was no monotonic trend observed for the remaining months of June, October, November, and December.

3.1.3 SIK subdivision

The monthly rainfall data for the SIK subdivision does not exhibit a consistent trend, as indicated by the non-significant Mann-Kendall (M-K) test statistic values in Table 3, with a 5 percent level of significance. However, the Seasonal M-K test results indicate a significant increasing trend in rainfall during February, March, April, June, and August, with statistical significance at the 1 percent or 5 percent level. In contrast, there is no statistically significant trend observed in the remaining months of January, May, July, September, October, November, and December. The positive Seasonal M-K test values for the months with a significant trend suggest a consistent increase in monthly rainfall over time.

3.2 Forecasting of Rainfall for Three Subdivisions

3.2.1 Data description

This study utilizes monthly rainfall data (measured in millimeters) from three subdivisions of Karnataka, India, including Coastal Karnataka,

North Interior Karnataka (NIK), and South Interior Karnataka (SIK). The data were obtained from the public repository "data.world" and cover the period from January 1901 to December 2015, with a total of 1381 observations for each series. Visual inspection of the time plots in Figs. 5, 6, and 7 suggests that all three series exhibit non-stationarity, which is confirmed through statistical tests for stationarity presented in Table 4. To construct and evaluate the models, the series is divided into training and testing sets, with the training set comprising 1105 months of observations used for model development and in-sample prediction, while the remaining 276 observations are reserved for post-sample prediction testing.

This study aims to identify the most effective deep learning model for forecasting rainfall and compare its performance to that of other statistical forecasting models, including ARIMA. The ARIMA modeling is implemented using R version 3.6.1 software, while the deep learning models are developed using Python 3.9.0 with the Keras and Tensorflow libraries. The software is executed on a system with the following specifications: a Ryzen 7 5700U CPU with a clock speed of 1.8 GHz, 8.0 GB of RAM, and AMD Radeon Graphics running the Windows 11 operating system.

3.2.2 Test for stationarity

A time series is considered stationary if it exhibits constant mean and variance over time. The Augmented Dickey-Fuller (ADF) test is commonly used to assess the stationarity of a

Table 3. M-K and Seasonal M-K test statistic (Tau) and Sen's slope estimate for SIK subdivision for monthly rainfall (mm) data

Period	M-K test			Seasonal M-K test			Sen's slope
	Tau	p-value	Trend	Tau	p-value	Trend	
January	0.02 ^{NS}	0.15	No trend	0.02 ^{NS}	0.05	No trend	0.00
February	0.08 ^{NS}	0.39	No trend	0.08 ^{**}	0.01	Increasing	0.003
March	0.15 ^{NS}	0.08	No trend	0.15 ^{**}	0.01	Increasing	0.08
April	0.09 ^{NS}	0.32	No trend	0.09 [*]	0.02	Increasing	0.16
May	0.06 ^{NS}	0.47	No trend	0.06 ^{NS}	0.31	No trend	0.16
June	0.17 ^{NS}	0.06	No trend	0.17 ^{**}	<0.01	Increasing	0.37
July	0.03 ^{NS}	0.25	No trend	0.03 ^{NS}	0.16	No trend	0.05
August	0.15 ^{NS}	0.10	No trend	0.15 ^{**}	<0.01	Increasing	0.56
September	-0.07 ^{NS}	0.44	No trend	-0.07 ^{NS}	0.05	No trend	-0.38
October	0.02 ^{NS}	0.86	No trend	0.02 ^{NS}	0.70	No trend	0.08
November	-0.03 ^{NS}	0.75	No trend	-0.03 ^{NS}	0.29	No trend	-0.07
December	-0.04 ^{NS}	0.65	No trend	-0.04 ^{NS}	0.41	No trend	-0.03

NS: Non-Significant, *Significant at 5% level of significance, **Significant at 1% level of significance

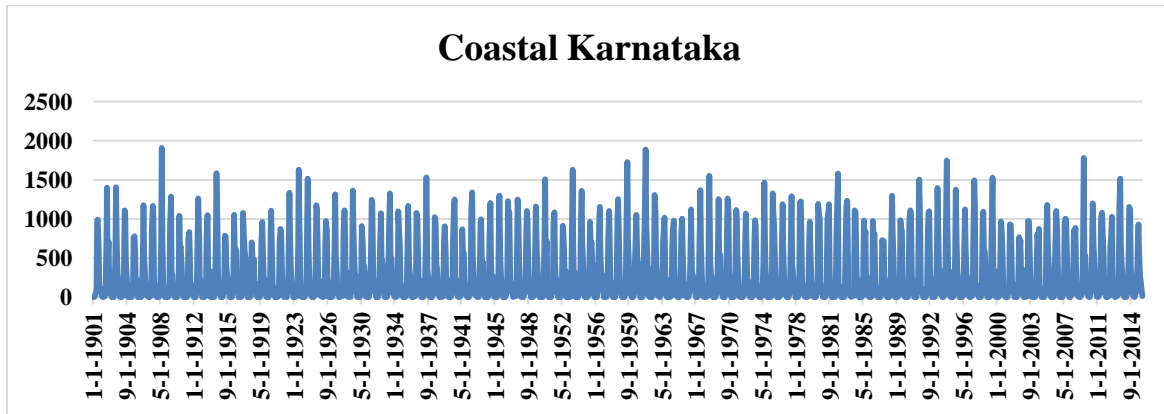


Fig. 5. Time plot of rainfall (mm) of Coastal Karnataka

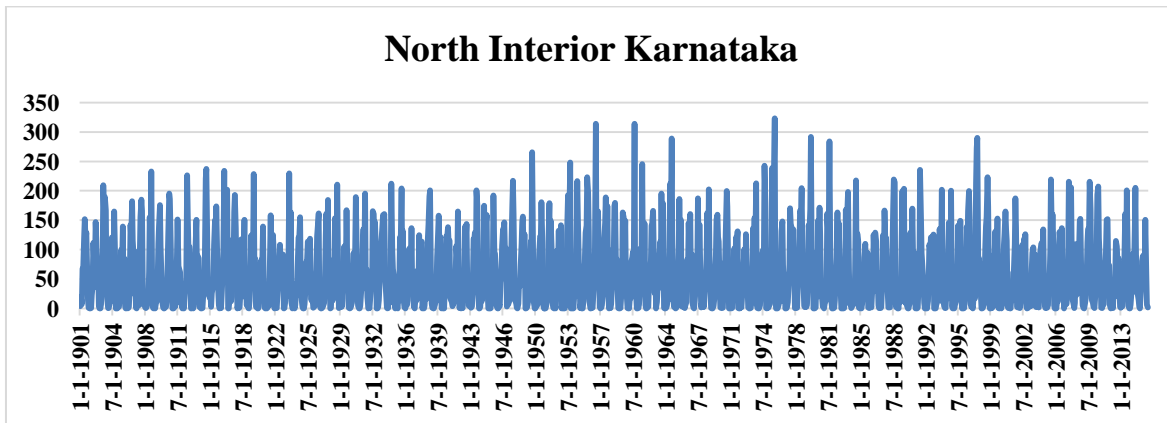


Fig. 6. Time plot of rainfall (mm) of North Interior Karnataka

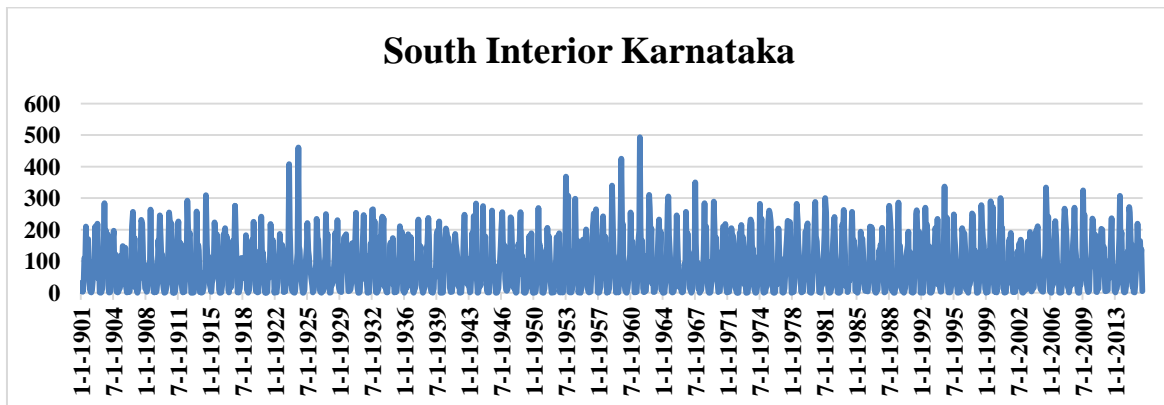


Fig. 7. Time plot of rainfall (mm) of South Interior Karnataka

Table 4. Results for stationarity using ADF test

Subdivisions of Karnataka	Test Statistic	p-value	Remarks
Coastal Karnataka	-3.08	0.21	Non-stationary
NIK	-2.86	0.30	Non-stationary
SIK	-1.69	0.15	Non-stationary

data series. The null hypothesis of the ADF test is that the time series contains a unit root, indicating non-stationarity. The ADF statistic returns a negative value, with greater negative values indicating stronger evidence against the null hypothesis. The results of the ADF tests are presented in Table 4, confirming that all series under investigation exhibit non-stationarity. The tests were conducted using the *adf.test* function from the *tseries* package in the R software.

3.2.3 Data pre-processing and normalisation

Data pre-processing and normalisation of data series are required so that deep learning models can be fitted effectively and extrapolated without bias. The normalisation technique rescales a data series' values between 0 and 1 without altering its shape. The following equation is used to normalise both series:

$$X'_t = \frac{X_t - X_{min}}{X_{max} - X_{min}}$$

where X_{min} , X_{max} and X_t are the minimum, maximum and observation at time t , respectively and X'_t is the rescaled value. In python software, we have used Min-Max Scaler function of the Scikitlearn package for this purpose.

3.2.4 Implementation of forecasting models

Following the confirmation of non-stationarity and normalization of each series, the proposed models are developed and fitted as follows: The data is first pre-processed and normalized before being divided into training (80%) and testing (20%) sets. The training set is utilized for model construction, while the testing set is used to evaluate its performance. Each series is fitted individually using ARIMA, MLP, LSTM, Bi-LSTM, Stacked LSTM, and GRU models, and their performance is assessed using the Root Mean Square Error (RMSE) metric. The required model parameters and hyperparameters are detailed in Table 5 and Table 6. The model with the lowest RMSE value among all fitted models is deemed to perform better.

The ARIMA model was fitted using the optimal combination of parameters as determined by Table 5. While this model can capture linear components in the data, it does not account for nonlinearity. Therefore, other nonlinear models were explored.

After estimating the models, forecasts were generated for the testing data set. The RMSE was used to evaluate the effectiveness of rainfall predictions made by various models, including ARIMA, MLP, LSTM, Bi-LSTM, Stacked LSTM, and GRU. For Coastal Karnataka, NIK, and SIK, respectively, the LSTM, Bi-LSTM, and Stacked LSTM models produced lower RMSE values than other competing models. Among all the models, ARIMA had the highest RMSE, indicating that it was the least accurate model.

Deep learning models are capable of sequence learning, enabling them to effectively capture the nonlinearity present in the rainfall dataset. Consequently, the LSTM, Bi-LSTM, and Stacked LSTM models were found to be the best-fitted models for Coastal Karnataka, NIK, and SIK, respectively. These models provide predicted values that are very close to the actual values, as shown in Table 7.

Table 5. Parameters of ARIMA model

Subdivisions of Karnataka	p	d	q
Coastal Karnataka	2	0	1
NIK	2	1	1
SIK	1	2	1

Table 6. Hyperparameters used for all deep learning models

Hyperparameters	
Activation function	ReLU
Optimizer	Adam
Loss function	Mean Squared Error
Batch size	10
Epochs	100

Table 7. Comparison of prediction performances of different models

Sl. No.	Models	RMSE value		
		Coastal Karnataka	NIK	SIK
1	ARIMA	304.6457	47.69623	65.21994
2	MLP	163.9448	33.55378	66.5592
3	LSTM	149.4526	33.21547	46.47722
4	Bi-LSTM	168.7255	32.57809	46.84162
5	Stacked LSTM	158.7145	36.55438	45.3386
6	GRU	162.826	32.8662	46.71207

3.3 Discussion

The results of the comparison of different time series models on the testing dataset are reported in Table 7. From these results, it can be seen that the LSTM model performed better for Coastal Karnataka, while Bi-LSTM and stacked LSTM models performed better for NIK and SIK regions respectively, in terms of evaluation metrics of RMSE, indicating that the predicted values from these models are closer to the actual values than those from the other models for the respective regions. On the whole, these results suggest that the DL models are able to effectively capture the patterns and trends in the rainfall data and make more accurate predictions than the other traditional models considered in this study. This makes them a valuable tool for predicting future rainfall. The results from the present study are similar to that of Cramer et al., 2017, Aswin et al., 2018 and Sun et al., 2021.

4. CONCLUSION

In this study, we compared the performance of deep learning models (LSTM, Bi-LSTM, Stacked LSTM, and GRU) with the traditional ARIMA model for modeling and forecasting monthly rainfall data in three subdivisions of Karnataka. Our results showed that deep learning models outperformed other models in capturing nonlinear relationships in the data. This can be attributed to their ability to model sequential and time series data effectively, but training these models requires expertise and time. These findings highlight the potential of deep learning models in predicting monthly rainfall data, and future research may explore the use of other models or additional meteorological variables to improve forecast accuracy.

ACKNOWLEDGEMENT

The authors are thankful to ICAR-Indian Agricultural Statistics Research Institute, New Delhi for providing computational facilities.

COMPETING INTERESTS

Authors have declared that no competing interests exist.

REFERENCES

1. Makridakis S, Spiliotis E, Assimakopoulos V. Statistical and machine learning

- forecasting methods: Concerns and ways forward. PLOS ONE. 2018;13(3): e0194889. DOI: 10.1371/journal.pone.0194889, PMID 29584784.
2. Kumar D, Rath SK. Predicting the trends of price for Ethereum using deep learning techniques. In: Artificial intelligence and evolutionary computations in engineering systems. Singapore: Springer. 2020; 103-14. DOI: 10.1007/978-981-15-0199-9_9
3. Paul RK, Yeasin M, Kumar P, Kumar P, Balasubramanian M, Roy HS, et al. Machine learning techniques for forecasting agricultural prices: A case of brinjal in Odisha, India. PLOS ONE. 2022;17(7):e0270553. DOI: 10.1371/journal.pone.0270553, PMID 35793366.
4. Janiesch C, Zschech P, Heinrich K. Machine learning and deep learning. Electron Markets. 2021;31(3):685-95. DOI: 10.1007/s12525-021-00475-2
5. Torres JF, Hadjout D, Sebaa A, Martínez-Álvarez F, Troncoso A. Deep learning for time series forecasting: a survey. Big Data. 2021;9(1):3-21. DOI: 10.1089/big.2020.0159, PMID 33275484.
6. Sutskever I, Vinyals O, Le QV. Sequence to sequence learning with neural networks. In: Nips'14. Proceedings of the 27th international conference on neural information processing systems. Cambridge, MA: MIT Press. 2014;2:3104-12.
7. Chhetri M, Kumar S, Pratim Roy PP, Kim BG. Deep BLSTM-GRU model for monthly rainfall prediction: a case study of Simtokha, Bhutan. Remote Sens. 2020; 12(19):3174. DOI: 10.3390/rs12193174
8. Qiu M, Zhao P, Zhang K, Huang J, Shi X, Wang X, et al. A short-term rainfall prediction model using multi-task convolutional neural networks. In: IEEE International Conference on Data Mining (ICDM). Piscataway, NJ: IEEE Publications. 2017;2017:395-404. DOI: 10.1109/ICDM.2017.49
9. Sanjeevaiah SH, Rudrappa KS, Lakshminarasappa MT, Huggi L, Hanumanthaiah MM, Venkatappa SD, et al. Understanding the temporal variability of rainfall for estimating agro-climatic onset of cropping season over south interior

- Karnataka, India. *Agronomy*. 2021; 11(6):1135.
DOI: 10.3390/agronomy11061135
10. Zhang Y, Cabilio P, Nadeem K. Improved seasonal Mann–Kendall tests for trend analysis in water resources time series. In: *Advances in time series methods and applications*. New York: Springer. 2016;215-29.
DOI: 10.1007/978-1-4939-6568-7_10
 11. MONDAL A, KUNDU S, MUKHOPADHYAY A. Rainfall trend analysis by Mann-Kendall test: A case study of north-eastern part of Cuttack district, Orissa. *Int J Geol Earth Environ Sci*. 2012;2(1):70-8.
 12. Box GEP, Jenkins GM, Reinsel GC. *Time-series analysis: forecasting and control*. 3rd ed. India: Pearson Education; 2007.
 13. Nguyen T, Nguyen T, Nguyen BM, Nguyen G. Efficient time-series forecasting using neural network and opposition-based coral reefs optimization. *Int J Comput Intell Syst*. 2019;12(2):1144-61.
DOI: 10.2991/ijcis.d.190930.003
 14. Ravi V, Pradeepkumar D, Deb K. Financial time series prediction using hybrids of chaos theory, multi-layer Perceptron and multi-objective evolutionary algorithms. *Swarm Evol Comput*. 2017;36:136-49.
DOI: 10.1016/j.swevo.2017.05.003
 15. Eskov VM, Pyatin VF, Eskov VV, Ilyashenko LK. The heuristic work of the brain and artificial neural networks. *Biophysics*. 2019;64(2):293-9.
DOI: 10.1134/S0006350919020064
 16. Clevert DA, Unterthiner T, Hochreiter S. Fast and accurate deep network learning by exponential linear units (elus), *ArXiv Prepr. arXiv*; 2015.
 17. Jaiswal R, Jha GK, Kumar RR, Choudhary K. Deep long short-term memory based model for agricultural price forecasting. *Neural Comput Appl*. 2022;34(6): 4661-76.
DOI: 10.1007/s00521-021-06621-3
 18. Huang X, Li Q, Tai Y, Chen Z, Liu J, Shi J et al. Time series forecasting for hourly photovoltaic power using conditional generative adversarial network and Bi-LSTM. *Energy*. 2022;246:123403.
DOI: 10.1016/j.energy.2022.123403
 19. Ojo SO, Owolawi PA, Mphahlele M, Adisa JA. Stock market behaviour prediction using stacked LSTM networks. In: *International Multidisciplinary Information Technology and Engineering Conference (IMITEC)*. 2019;2019:1-5.
DOI: 10.1109/IMITEC45504.2019.9015840
 20. Basha CZ, Bhavana N, Bhavya P, V S. Rainfall prediction using machine learning & deep learning techniques. In: *International Conference on Electronics and Sustainable Communication Systems (ICESC)*. 2020;2020:92-7.
DOI: 10.1109/ICESC48915.2020.9155896
 21. Bhuyan MDI, Islam MM, Bhuiyan MEK. A trend analysis of temperature and rainfall to predict climate change for northwestern region of Bangladesh. *Am J Clim Change*. 2018;07(2):115-34.
DOI: 10.4236/ajcc.2018.72009
 22. Cho K, Van Merriënboer B, Bahdanau D, Bengio Y. On the properties of neural machine translation: encoder-decoder approaches. *arXiv preprint arXiv:1409.1259*; 2014.
Available: <https://arxiv.org/abs/1409.1259>
 23. Hernández E, Sanchez-Anguix V, Julian V, Palanca J, Duque N. Rainfall prediction: A deep learning approach. In: *International conference on hybrid artificial intelligence systems*. Cham: Springer. 2016;151-62.

© 2023 Nayak et al.; This is an Open Access article distributed under the terms of the Creative Commons Attribution License (<http://creativecommons.org/licenses/by/4.0>), which permits unrestricted use, distribution, and reproduction in any medium, provided the original work is properly cited.

Peer-review history:
The peer review history for this paper can be accessed here:
<https://www.sdiarticle5.com/review-history/97873>