

Structure Design of Underwater Micro Robot

Md Shahriar Sujan^{1*}, Joy Howlader², Md Jahangir Alam³, Md Al Imran Tapu¹

¹College of Harbor Coastal & Offshore Engineering, Hohai University, Nanjing, China

²Department of Computer Science and Information Technology, College of Computer and Information, Hohai University, Nanjing, China

³College of Civil and Transportation Engineering, Hohai University, Nanjing, China

Email: *shahriarsujan16@gmail.com, joyhowlader007@gmail.com, jahangiralam504016@outlook.com, tapu.imran@outlook.com

How to cite this paper: Sujan, M.S., Howlader, J., Alam, M.J. and Tapu, M.A.I. (2024) Structure Design of Underwater Micro Robot. *Modern Mechanical Engineering*, 13, 12-24.

<https://doi.org/10.4236/mme.2024.141002>

Received: October 14, 2023

Accepted: December 26, 2023

Published: December 29, 2023

Copyright © 2024 by author(s) and Scientific Research Publishing Inc.

This work is licensed under the Creative Commons Attribution International License (CC BY 4.0).

<http://creativecommons.org/licenses/by/4.0/>



Open Access

Abstract

A submergible robot model has been presented, and for 3D printing measures, their parts have been modified enough. It has been shown in our design that using printable connectors—a few engines and weight arrangements can be carried out, permitting distinctive moving prospects. After presenting our configuration and delineating a bunch of potential structures, a helpful model dependent on open-source equipment and programming arrangements has been presented conditionally. The model can be effectively tried in a few makes-a plunge streams and lakes throughout the planet. The unwavering quality of the printed models can be strained distinctly in generally shallow waters. Nonetheless, we accept that their accessibility will inspire the overall population to construct and test submerged robots, subsequently accelerating the improvement of imaginative arrangements and applications.

Keywords

Submergible Robot, Thruster, Adapter, Raspberry Pi, 3D Printer, Open Source Software

1. Introduction

“There are two classes of submergible robots: “Autonomous Underwater Vehicles (AUVs) and Remotely Operated Vehicles (ROVs)” [1]. “A persistent advancement in the manufactured machines and sensors sector is expanding the scope of AUVs applications” [2]. Notwithstanding, their significant expense and the ability to be helpful in their reception are restrictive to the overall population.

“Distantly worked submerged vehicles are cell phones usually utilized in profound water enterprises. Likewise, to AUVs, proficient ROVs are typically over the top and expensive. Be that as it may, on account of the fast development of open

source programming, equipment networks, and gratitude for the advancement in science and technology. Like Open ROV and BlueRov2, ROVs of open source can be established or found for about ten years” [3]. “As anyone might expect, research organizations and DIY groups displayed a developing curiosity in appropriating submerged robots for some applications usable for all” [4], “from submerged investigation to sea life science and palaeontology”. “Essentially to flying robots, minimal effort submerged vehicles are generally outfitted with cameras and essential detecting abilities. Submerged impetus is accomplished through propellers characterize the degrees of opportunity of the developments such that robot can perform submerged” [5]. “A regular system in AUVs plan produces the number of automated instrument like vehicles emphatically buoyant to guarantee they will get back to the ground, and power disappointment can happen. Besides, minimal effort ROVs receive fixed stabilizer—lead is used because gravity lightness chambers are usable. Vertical engines are utilized to achieve fixed arrangement, climbing, and sliding movements with a stabilizer” [6]. “Variable stabilizer can without a doubt address a superior arrangement, as it doesn’t need both ways moving direction, anyway at the cost of greater expense/intricacy” [7]. “Hardware instruments are encased into watertight compartments that forestall water invasion and harm towards segments. Propellers are ordinarily associated with the watertight walled-in area through links and link organs to guarantee watertight association with the inward gadgets” [8]. “Different arrangements have been tried to diminish the dangers of water invasion because of high water pressure when utilizing link organs, like utilizing attractive coupling to move the propellers utilizing engines situated inside the watertight walled-in area” [9]. “In any case, planning and building outer parts—which incorporates, for example, propellers, weight and water dynamic designs—is anything but a minor, nor modest assignment in submerged robot’s advancement” [10]. “An open-source answer for quick prototyping and customization of submerged robots has been introduced here. 3D models which are printable and viable with equipment parts accessible in the easily submerged drone market and can be utilized to alter propellers, balance and effectively water dynamic setups along these lines, decreasing the all-out cost of the result. At long last, we portray the equipment and the product arrangements that we embraced in the valuable model” [11] (**Figure 1**).

The submersible robot model presented in this research can be easily modified and customized thanks to its 3D printed design. The robot may move in a variety of ways thanks to the design’s use of printable connectors, engines, and weight distribution. Because the model is built on open-source hardware and software, consumers can get it at a reasonable cost.

It is anticipated that making the model available online will encourage people to construct and test underwater robots, hastening the creation of novel solutions and uses. Although testing in relatively shallow seas has been conducted to assess the reliability of the 3D printed pieces, additional tests in deeper waters and with other combinations are planned. The investigation of possibilities for autonomous learning of robot control protocols is also mentioned in the study,

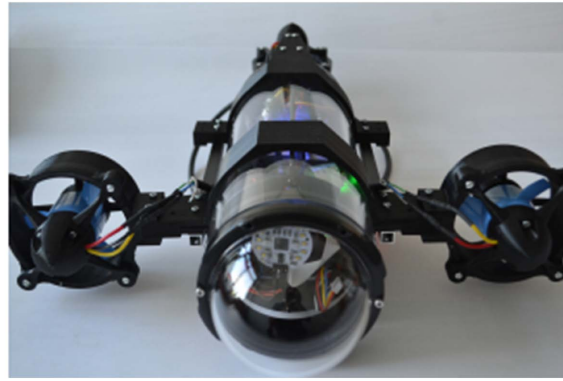


Figure 1. A three-thruster prototype.

suggesting future developments in the area. In general, this paper’s practical consequences include facilitating the creation of underwater robots that are both economical and configurable, encouraging experimentation and creativity in the sector, and maybe leading to breakthroughs in autonomous control systems.

2. A Customizable Underwater Drone

First, confirm that you have the correct template for your paper size. This template has been tailored for output on the custom paper size (21 cm * 28.5 cm). “Starting today, ROV parts may be found on the web, for example, those given by Blue Robotics. Sadly, such models are typically either not ideal for 3D printing (for example dividers around screwing openings are flimsy and consequently attached with breakable parts that are mounted) or not particular enough to effortlessly alter the robot arrangement without purchasing extra parts” [12]. “A customizable submerged robot for marine exploration that defines the unprecedented causes has been proposed. In the advancement of these models, we took motivation from different engine models and the fenced-in area brace configuration cylinders created by Blue Robotics 3” [13]. Three plastic parts are used so that the propeller can be mounted. A different configuration is given in the mounting section. At first, we tried utilizing the printing machine. In any case, arrangements are tragically not ideal for quick prototyping strategies. We could not discover any printer design—including strong infill and top-notch 0.06 mm layer stature—that forestalled harm as dividers around openings are excessively slight. Different strategies have been utilized for more incredible outcomes, for example, infusion forming. Additionally, beginnings in 3D-printed parts can become stripped rapidly, effectively after a couple of times fasteners are tightened. Details of mounting are gathered utilizing stray pieces would forestall this, yet this choice was impractical with the first models given by Blue Robotics. This way, we re-planned configurations-precisely forming the engine and the nook brace—and improved them for 3D printing procedures. Specifically, we expanded the thickness of most of the design and presented structures which permit the utilization of stray pieces. We planned a connector for mounting a modest Turnigy DST700 brushless en-

engine, which has been explicitly intended for the more costly, albeit more impervious to erosion, M200 engine. The new engine plan utilizes an alternate arrangement of the openings that permit straightforward attaching using M2.5 and M3 nuts and bolts. In addition, mounting focuses are introduced onto the engine and, more, onto the fenced-in area clasp models so they can be effectively mounted together in various situations, as delineated in **Figure 2**.

Likewise, we planned three connectors that permit changing an engine's direction, as portrayed in **Figure 3**. The split connector can fundamentally expand the number of potential designs whenever embraced in the mix with the 90° connector. For mounting an upward engine, 3 connectors are used, as shown in **Figure 4**. The 90-degree adapter is an important part of spaceship design because it makes it possible to securely attach thrusters to enclosure clamps. Its right-angle shape makes positioning easier in tight areas and keeps the spacecraft stable and easy to move. This carefully designed adapter shows how important careful planning is for getting things done quickly in space in **Figure 5**.

As referenced in the past area, in minimal effort, ROVs portrayed by fixed weight, climb and plummet developments are regularly accomplished utilizing vertical engines. We planned a specific barrel-shaped construction that can be loaded with steel balls or syntactic froth to permit the client. A balance chamber is partitioned into two compartments, where the focal point of mass is required in **Figure 6**.

The weight chamber has a similar mounting construction to the thruster, so it tends to be mounted onto a similar mounting focus portrayed previously. The following Figure shows that four counterweight chambers will be mounted onto the +135° what's more, -135° mounting places of the foremost fenced-in area bunch. The connectors, engines and counterweights can be mounted together utilizing standard M3 nuts and M3-30 mm fasteners.

The parts portrayed above permit numerous edge arrangements, each giving diverse moving possibilities and, furthermore, levels of opportunity for the robot's development. This may show the least complex structure with a three-engine outline setup. Here, two flat engines take into consideration forward and reverse actions and yaw turns (left and right turns).

In **Figure 7**, an upward engine gives pitch-turn prospects. The solitary upward machine is removed from the focal, so climb-well and slide developments are unrealistic with such an arrangement.

Although balance loads can be mounted to change following the situation of the focal point of mass, if climb and dive developments are required, extra vertical engines can be established on the upper side of the back nook clasp at the foremost fenced-in area clip along with a 45° engine (as in the vectored outline setup portrayed in following Figure). Changes can happen, and that can be stopped too at the below part in **Figure 8**.

The vectored outline design portrayed considers the overall dominance of the submergible drone. Forward, in reverse and parallel developments; climb and slip developments; yaw and move pivots.

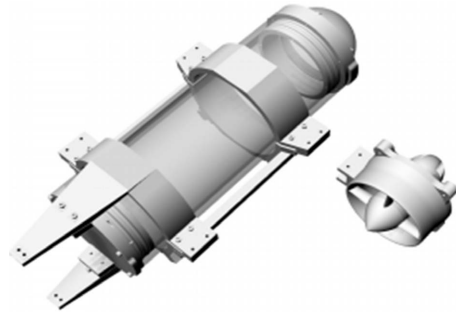


Figure 2. Clamp (available angles are +90, -90, +135 and -135 degrees).

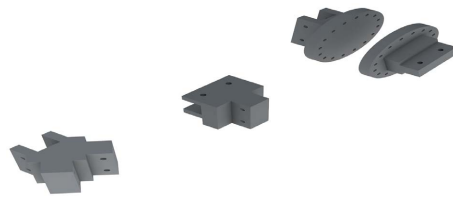


Figure 3. A visual illustration and design of ballast, thrusters, and adapters.



Figure 4. An adapter whose angle is 90 degrees helps thrusters to be mounted on the enclosure clamp.



Figure 5. Adapters with 90-degree angles and splits are used for mounting purposes in the design part.



Figure 6. A design of an adapter which can have five possible orientations.

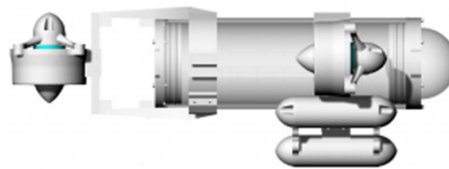


Figure 7. For mounting purposes of split adapters, cylinders are used in the design part.

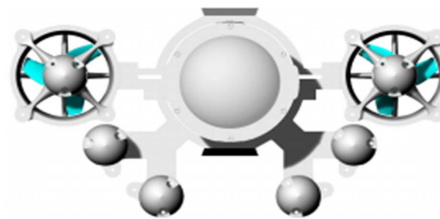


Figure 8. For mounting purposes of adapters and mounting points with available degrees of -135 to $+135$, cylinders are used, shown in the front view.

Potential challenges and limitations associated with testing the models in shallow waters: The printed models' dependability has only been evaluated in very shallow waters, which has limited our knowledge of how well they function in deeper areas. The constraints and possible difficulties of designing underwater robots with open-source hardware and software are not covered in the paper. The suggested design's overall cost-effectiveness and scalability are not discussed in the paper. No comparison or assessment of the suggested concept against current underwater robot models or solutions is included in the paper. Overall, this paper's shortcomings include a dearth of precise technical information, restricted testing in shallow waters, a lack of explanation of the difficulties and viability of the solution, and a lack of comparison with other options.

3. A Functional Prototype

An execution of a practical model utilizing a three-engine outline design, as por-

trayed in **Figure 9**, has been presented. Area III-A represents the hardware of the robot.

3.1. Equipment Portrayal

We embraced the ease and open source when accessible, answers for executing the gadgets of the robot. A Raspberry Pi 3 model B has been set up as a partner PC to a flight regulator, particularly the PX4 Pixhawk, sold by mRobotics. Pixhawk is an open-equipment project targeting giving high-end autopilot equipment to the general population at low costs 4. We introduced three Turnigy brushless engines, each at first associated with the Pixhawk flight regulator, which gives engine speed data.

Electronic Speed Controller

“If the diesel engine load suddenly increases, the output voltage of the load sensor changes first and then the output voltage of the speed sensor changes accordingly (values are all reduced). The above two types of decreasing pulse signals are compared with the set speed voltage in the speed control unit (the value of the negative signal of the sensor is less than the value of the positive value signal of the speed setting voltage), and a positive voltage signal is output” [14]. “Conversely, if the load of the diesel engine suddenly decreases, the output voltage of the load sensor will change first, and the output voltage of the speed sensor will change accordingly (values will increase). The above two types of raised pulse signals are compared with the set speed voltage in the speed control unit. At this point, the negative signal value of the sensor is higher than the positive value signal value of the speed setting voltage, and the speed control unit outputs a negative voltage signal. In the actuator, the output shaft is rotated to reduce oil to reduce the fuel supply of the diesel engine” [15].

As we encountered harm in ESCs associated with a propeller that was put under force pressure, we picked mounting Afro 20A ESCs rather than 12A ones in **Figure 10**.

A Raspberry Pi V2.1, 8 MP 1080P camera module is introduced to transfer HD recordings toward a PC. A Lisiparoi low-light drove module is introduced and installed. The robot is associated with a surface PC through a 25-meter impartially buoyant RJ45 tie, which gives information correspondence in **Figure 11**.

A waterproof switch has been introduced to perform specific work like turning on/off the robot. Temperature sensors and pressing factors have been submitted for particular purposes in **Figure 12**.

3.2. Programming Depiction

“Open Source code is written using a programming language to create a program or software. Each software has a source code, but the source code is open in the case of open-source software. If a software has an open source license, then any user can download and modify the software for free” [16]. “Again,

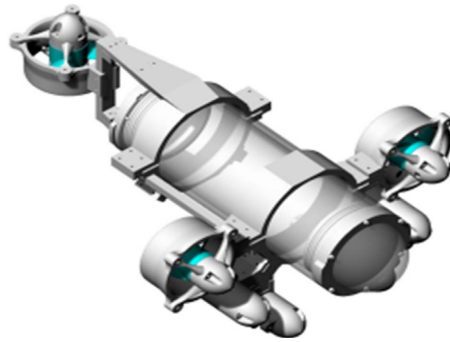


Figure 9. A visual 3D design of an underwater robot.

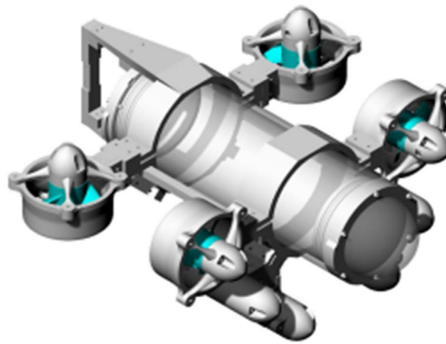


Figure 10. This is an underwater robot which has four thrusters. Propellers are shown in the design part.



Figure 11. This is the design part of the micro-robot, which has six thrusters.

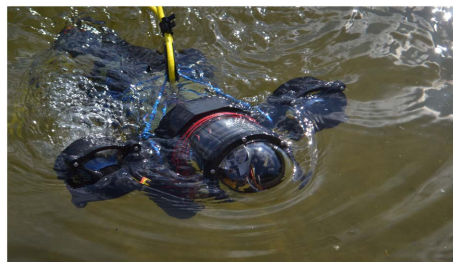


Figure 12. A sample picture that is to be used in the river.

there is some open source software that takes money for software service and support, such as the Red Hat operating system” [17]. In the 1970s, proprietary software companies did not keep the source code of their software open and did not allow users to modify it. Then, in the 1980s, Richard Stallman started the first open-source project and its licensing and worked on the GNU project and GNU OS software and kept it completely open source. As a result, any user can access the software’s source code and change it at their convenience.

After that time, Linus Torvalds built the Linux kernel just like Unix and kept it open source. Later, it created the Linux operating system using the Linux kernel and GNU project and was also an open-source project. And now, many Linux distributions have been released, built using the Linux kernel and are entirely open source, like Ubuntu Linux, Kali Linux, Cent Linux, etc.

3.3. Advantages of Open Source Software

“Since the source code of the open source software is open, any user can see the source code. As a result, if there is any bug in the software, the work of detecting and fixing various programs around the world is done quickly, and anyone can add a new feature to the software if they want” [18]. “Apart from giving access to the software free, there are some open source softwares that take money for service and training” [19]. “Since the source code is open, any user or programmer can modify the software as he wishes and add features” [20]. We depend totally on public user programming answers for controlling the robot. Specifically, we received Raspian as a working framework. ArduSub is a wholly highlighted open-source answer for distantly worked submerged vehicles presently essential for the ArduPilot project. ArduSub has a few pre-introduced functionalities, including input soundness control, profundity and heading hold, and self-ruling routes utilizing pre-coded directions. MAV link is embraced as a correspondence convention. Q Ground Control is introduced into the surface PC, tablet, or, on the other hand, cell phone to give plunge control and mission arranging to the robot. Other associating pictures for the project are given below.

4. Conclusions

Clamps for underwater application are corrosion-resistant and durable. These clamps secure underwater equipment and structures in **Figure 13**.

Waterproof enclosures, streamlined bodies, and specialized propulsion make submersible robots adaptable in **Figure 14**.

Thruster-mounted configurations are crucial for precise propulsion, improving the ability to maneuver and maintain stability. Thruster Mounted structure is shown in **Figure 15**.

Unmounted thrusters cannot move controlled because they lack propulsion units. This arrangement is designed for specific situations, emphasizing the need for bespoke propulsion systems. Unmounted thruster 1 structure is shown in **Figure 16**.



Figure 13. Clamps.



Figure 14. Configurations.

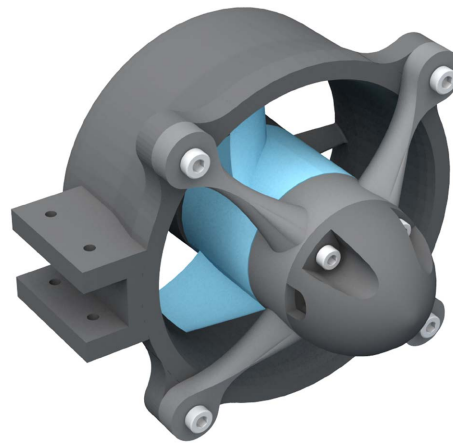


Figure 15. Thruster mounted.

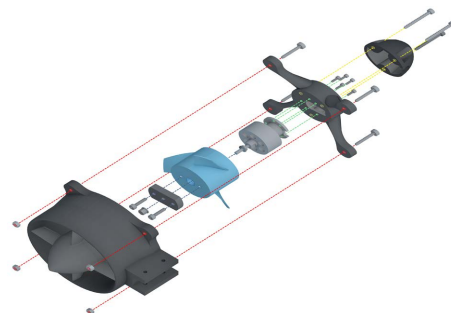


Figure 16. Thruster unmounted 1.

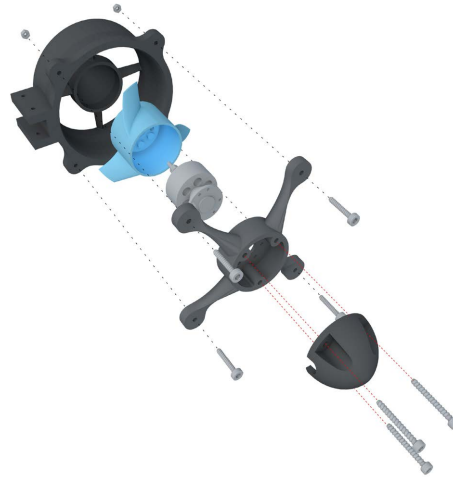


Figure 17. Thruster unmounted 2.

Thruster unmounted means no propulsion, which makes it harder to direct movement. This design choice shows how important it is to make power work best in certain situations. Thruster unmounted 2 is shown in **Figure 17**.

Submergible robots using open-source models are beneficiaries because minimal effort is required for the preferable outcome. The models are enhanced for quick prototyping through 3D printers. In the wake of presenting the various parts and connectors that can take into consideration multiple edge designs and, in this manner, unique evaluations of mobility, we introduced a helpful model. Specifically, we fabricated a three-propeller submerged drone dependent on open-source equipment and programming arrangements. Albeit the unwavering quality of the 3D printed parts has been tried distinctly in moderately shallow waters, we firmly accept that making them openly accessible online will spur the overall population to fabricate and try different things with submerged robots and thus accelerate the turn of events of inventive arrangements and applications. We intend to complete further tests in more profound waters and under various edge arrangements. Also, we are presently investigating opportunities for self-sufficient learning of robot control procedures.

Conflicts of Interest

The authors declare no conflicts of interest regarding the publication of this paper.

References

- [1] Anton, M., Punning, A., Aabloo, A. and Kruusmaa, M. (2004) Towards a Biomimetic EAP Robot. 6-8.
https://www.researchgate.net/publication/248127819_Towards_a_biomimetic_EAP_robot
- [2] Bachmann, R.J., Kingsley, D.A., Quinn, R.D. and Ritzmann, R.D. (2002) A Cockroach Robot with Artificial Muscles. *Proceedings of Climbing and Walking Robots Conference (CLAWAR02)*, Paris, 25-27 September 2002.

- [3] Cruse, H. (1985b) Which Parameters Control the Leg Movement of a Walking Insect? II. The Start of the Swing Phase. *Journal of Experimental Biology*, **116**, 357-362. <https://doi.org/10.1242/jeb.116.1.357>
- [4] Birch, M.C., Quinn, R.D., Hahm, G., Phillips, S.M., et al. (2000) Design of a Cricket Microrobot. *Proceedings 2000 ICRA. Millennium Conference. IEEE International Conference on Robotics and Automation. Symposia Proceedings*, San Francisco, 24-28 April 2000, 1109-1114.
- [5] Dean, J. (1989) Leg Coordination in the Stick Insect *Carausius Morosus*: Effects of Cutting Thoracic Connectives. *The Journal of Experimental Biology*, **145**, 103-131. <https://doi.org/10.1242/jeb.145.1.103>
- [6] Guo, S., Fukuda, T., Kato, N. and Oguro, K. (1998) Development of Underwater Micro Robot Using ICPF Actuator. 1998 *IEEE International Conference on Robotics and Automation*, Leuven, 20 May 1998, 1829-1834.
- [7] Guo, S., Sugimoto, K., Hata, S., Su, J. and Oguro, K. (2000) A New Type of Underwater Fish-Like Microrobot. 2000 *IEEE/RSJ International Conference on Intelligent Robots and Systems*, Takamatsu, 31 October-5 November 2000, 867-872.
- [8] Guo, S., Fukuda, T. and Asaka, K. (2002) Fish-Like Underwater Micro Robot with Three DOF. *Proceedings 2002 IEEE International Conference on Robotics and Automation*, Washington DC, 11-15 May 2002, 738-743.
- [9] Birch, M.C., Quinn, R.D., Hahm, G., Phillips, S.M., et al. (2001) A Miniature Hybrid Robot Propelled by Legs. *Proceedings 2001 IEEE/RSJ International Conference on Intelligent Robots and Systems. Expanding the Societal Role of Robotics in the Next Millennium*, Maui, 29 October-3 November 2001, 845-851. <https://doi.org/10.1109/IROS.2001.976274>
- [10] Guo, S., Fukuda, T. and Asaka, K. (2003) A New Type of Fish-Like Underwater Microrobot. *IEEE/ASME Transactions on Mechatronics*, **8**, 136-141. <https://doi.org/10.1109/TMECH.2003.809134>
- [11] Guo, S., Okuda, Y. and Asaka, K. (2004) Development of a Novel Type of Underwater Micro Biped Robot with Multi DOF. *The Fourteenth International Offshore and Polar Engineering Conference*, Toulon, 23-28 May 2004, 284-289.
- [12] Hirose, Y., Shiga, T., Okada, A. and Kurauchi, T. (1992) Gel Actuators Driven by an Electric Field. *3rd International Symposium on Micro Machine and Human Science Proceedings*, Nagoya, 14-16 October 1992, 21-26.
- [13] Hollar, S., Flynn, A., Bellew, C. and Pister, K.S.J. (2003) Solar Powered 10mg Silicon Robot. *The Sixteenth Annual International Conference on Micro Electro Mechanical Systems*, Kyoto, 23 January 2003, 706-711.
- [14] Otis, M., Bernier, R., Pasco, Y., Menard, H., et al. (2003) Development of an Hexapod BioMicroRobot with Nafion-Pt IPMC Microlegs. *Proceedings of the 25th Annual International Conference of the IEEE Engineering in Medicine and Biology Society*, Cancun, 17-21 September 2003, 3423-3426.
- [15] Ryu, J., Jeong, Y., Tak, Y., Kim, B., et al. (2002) A Ciliary Motion Based Eight-Legged Walking Micro Robot Using Cast IPMC Actuators. *Proceedings of 2002 International Symposium on Micromechatronics and Human Science*, Nagoya, 23 October 2002, 85-91.
- [16] Tadokoro, S., Yamagami, S. and Takamori, T. (2000) An Actuator Model of ICPF for Robotic Applications on the Basis of Physicochemical Hypotheses. *Proceedings 2000 ICRA. Millennium Conference. IEEE International Conference on Robotics and Automation. Symposia Proceedings*, San Francisco, 24-28 April 2000, 1340-1346. <https://doi.org/10.1109/ROBOT.2000.844784>

- [17] Zhang, W. and Guo, S.X. (2005) The Development of a New Kind of Underwater Walking Robot. *Complex Medical Engineering-CME 2005, Kagawa International Conference Hall, Takamatsu, 15-18 May 2005*, 199-204.
- [18] Zhang, W., Guo, S. and Asaka, K. (2005) A Novel Type of Underwater Crawling Microrobot. 2005 *IEEE International Conference on Robotics and Biomimetics—ROBIO*, Hong Kong, 5-9 July 2005, 155-160.
- [19] Zhang, W., Guo, S. and Asaka, K. (2005) Developments of Two Novel Types of Underwater Crawling Microrobots. *IEEE International Conference Mechatronics and Automation, Niagara Falls, 29 July-1 August 2005*, 1884-1889.
- [20] Zhang, W., Guo, S. and Asaka, K. (2006) Design and Experimental Results of a Tripodic Biomimetic Microrobot with 5 DOFs. *The 6th World Congress on Intelligent Control and Automation (WCICA2006)*, Dalian, 21-23 June 2006, 8378-8382.
<https://doi.org/10.1109/WCICA.2006.1713611>